

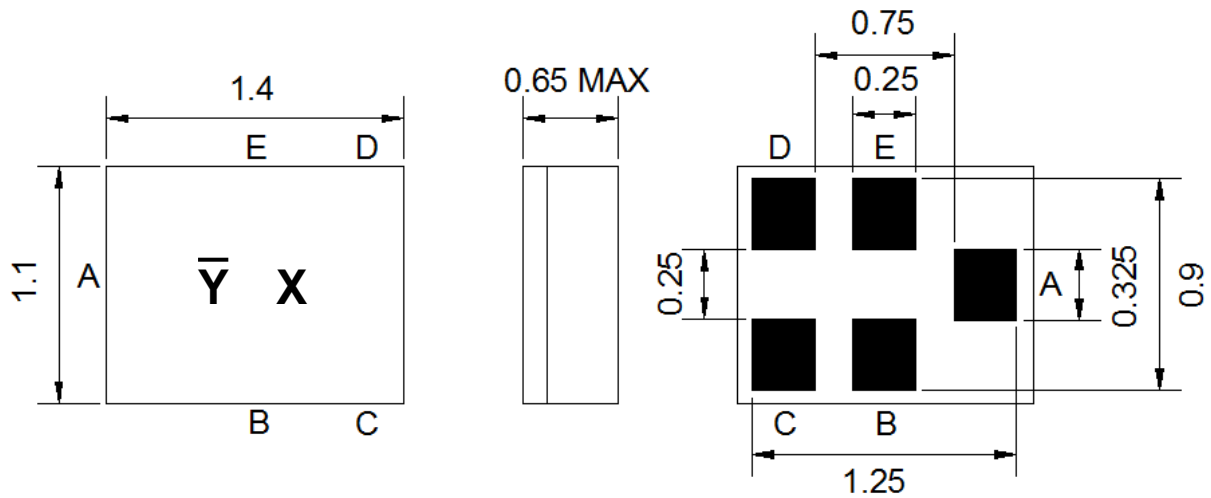
- Band 28, RF-Tx Balanced Block B SAW Filter
- Revision 0: April 2014

Electrical Characteristics

MAXIMUM RATING				
PARAMETERS DESCRIPTION	UNIT	MINIMUM	TYPICAL	MAXIMUM
Operating Temperature Range	°C	-30	-	+85
Storage Temperature Range	°C	-40	-	+85
Maximum DC Voltage	V	-	-	0
Maximum Input Power	dBm	-	-	10
Source Impedance (unbalanced) ⁽¹⁾	Ω	-	50	-
Load Impedance (balanced) ⁽¹⁾	Ω	-	100	-
Package type & size	C21			
Length x Width	mm ²	-	1.4 x 1.1	-
Height	mm	-	-	0.65

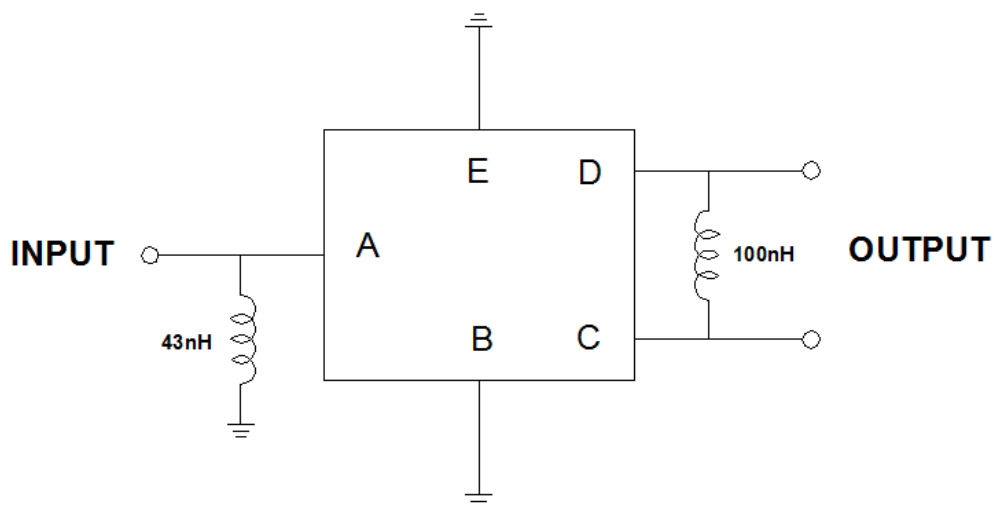
ELECTRICAL SPECIFICATION				
PARAMETERS DESCRIPTION	UNIT	MINIMUM	TYPICAL	MAXIMUM
Center Frequency (Fo)	MHz	-	733.0	-
Insertion Loss within 718.0 ~ 748.0 MHz	dB	-	2.6	4.0
Amplitude Ripple within 718.0 ~ 748.0 MHz	dB _{p-p}	-	1.2	2.6
Attenuation:				
773.0 ~ 803.0 MHz	dB	35	43	-
1406.0 ~ 1496.0 MHz	dB	45	55	-
VSWR within 718.0 ~ 748.0 MHz	-	-	2.5	2.9

Notes: (1) With Matching Network

Package Dimensions


Marking Descriptions	
\bar{Y}	Series Number
X	Date Code (Year+Month)

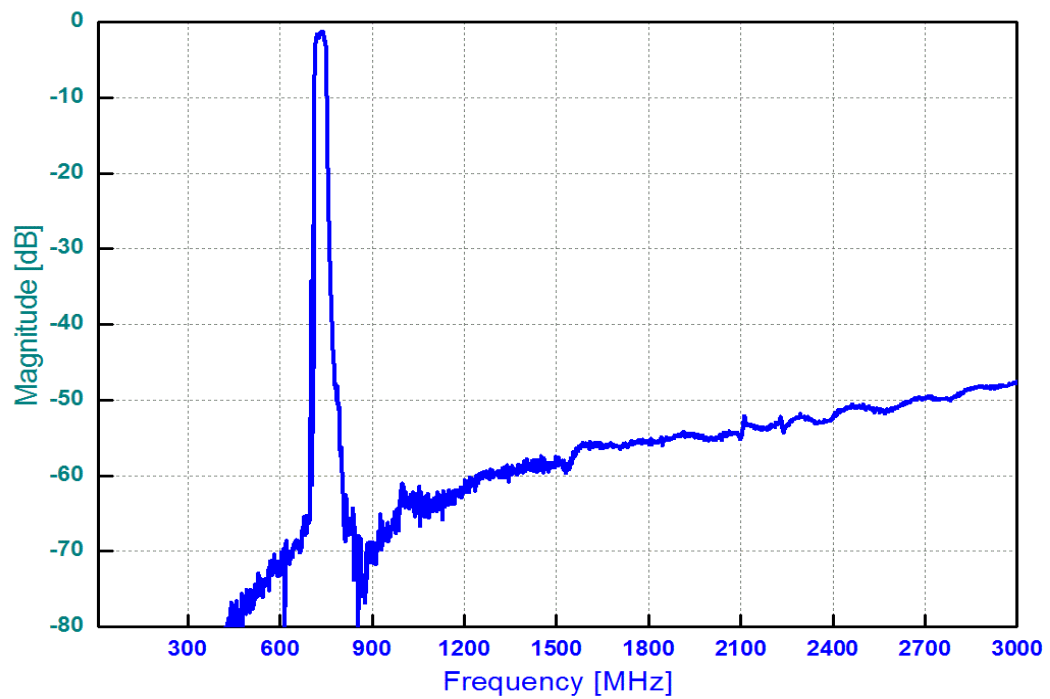
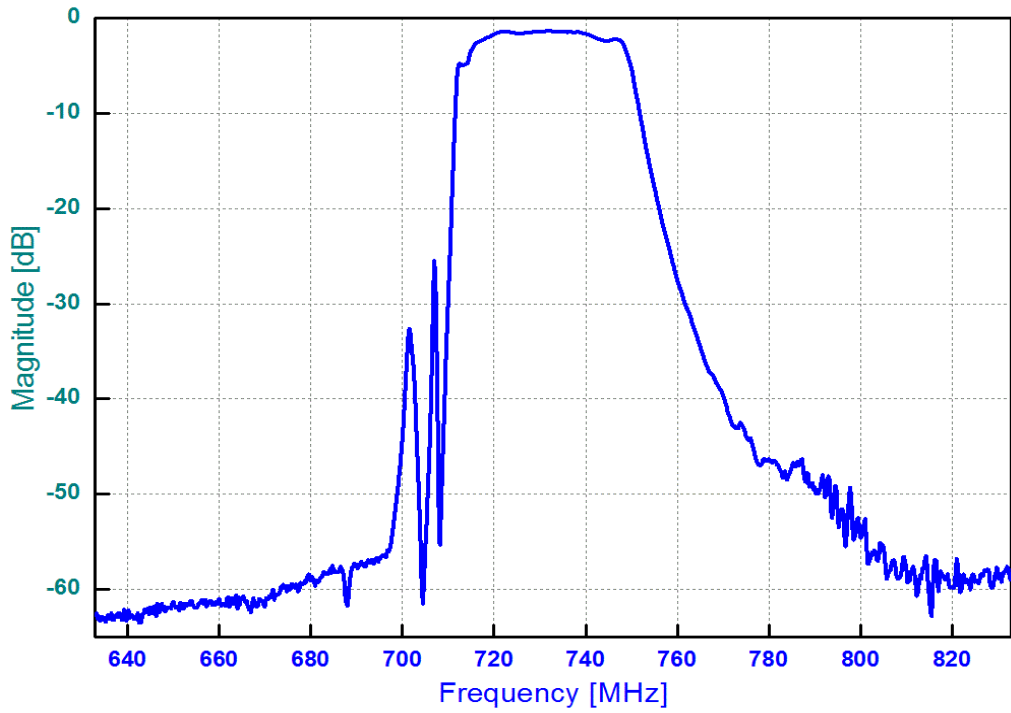
Pin Description	
B, E	Ground
A	Input
C, D	Balanced Output

Testing Environment

 Source Impedance: 50 Ω

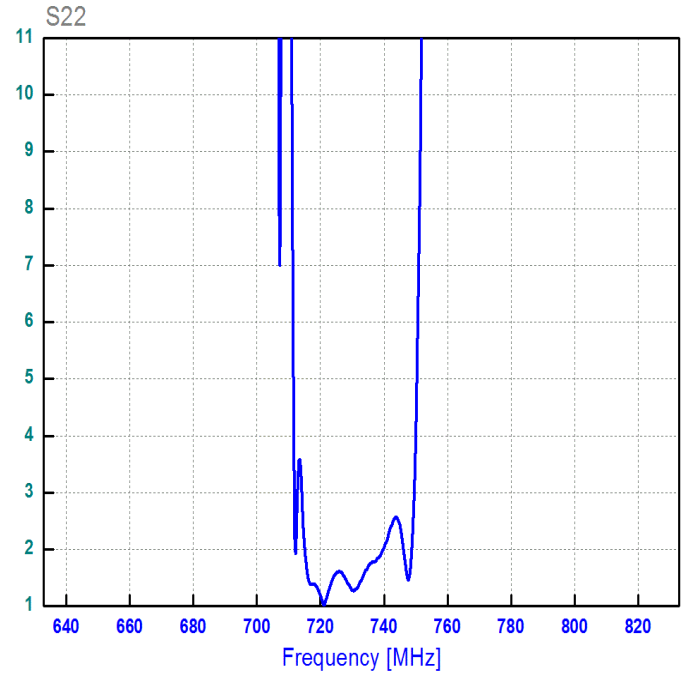
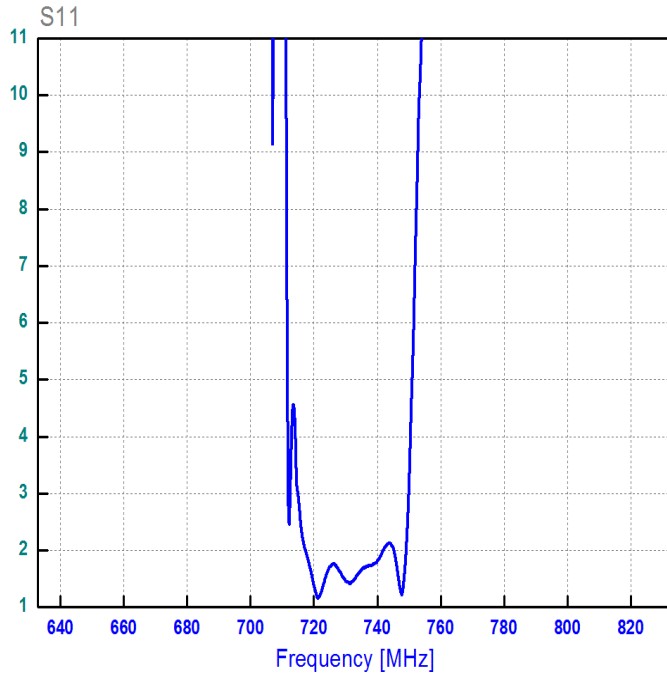
 Load Impedance: 100 Ω

Frequency Characteristics

Frequency Response



VSWR



Smith Chart

